



Kegs



50 > 60 kph

Omni keg 60/120

Semi-automatic filler for kegs

Efficient Filling with Minimal Loss

Compact Design

Dimensions of 870 mm x 880 mm x 2262 mm (WxDxH) suitable for small spaces

Automatic Operation

After manual start-up, the filling and cleaning process is automatic

Low Product Loss

Minimises losses and oxygen intake for optimum product quality

Robust Construction

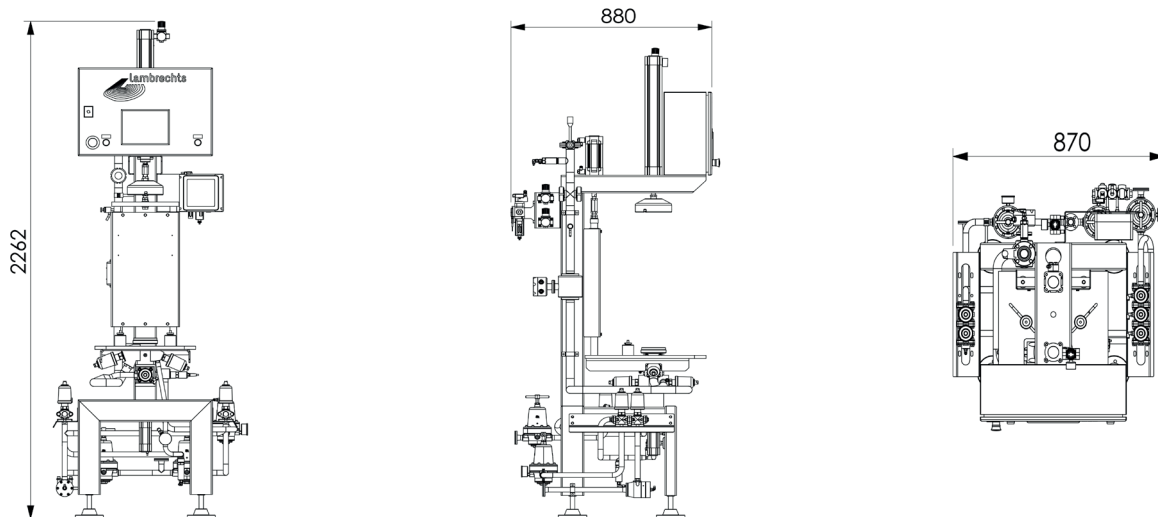
Stainless steel frame and complete pipework for durability

Hygienic Design

Features sensors, self-monitoring control elements and hygienic design

Easy Maintenance

Accessible and user-friendly design for easy installation and maintenance



Technology

Low product loss and minimal oxygen intake.

Efficient use of utilities for low consumption

Manual handling of kegs

Process

Process monitoring with sensors and self-monitoring controls

Hygienic design

Automatic process (cleaning, sterilisation, filling)

Construction

Compact design: 870 x 880 x 2262 mm (WxDxH)

Stainless steel frame

Complete piping and electrical wiring

Integrated electrical cabinet with display controls

PLC control

1 omni filling head

Options

2 omni filling heads (Omnikey 120)

Applications

Suitable for kegs from 10 to 60 litres (DIN and European standards)

Stainless steel kegs

One way kegs without bag

One way kegs with bag

Processes up to 60 kph (Omnikey 60)

Processes up to 120 kph (Omnikey 120)

Benefits

Easy installation and maintenance

Accessible and user-friendly

	Omnikey 60	Omnikey 120
Capacity	50 > 60 kph	100 > 120 kph
Manual keg loading & automatic coupling	x	x
Omni filling head	1	2
Product flow meter for accurate filling to prevent keg damage	1 standard filling head	1 omni filling head
Graphic touch panel (HMI)	x	x
Dimensions	870x880x2262 mm (WxDxH)	1373x880x2262 mm (WxDxH)